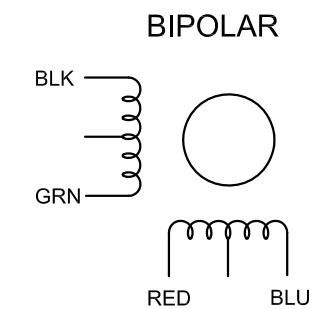
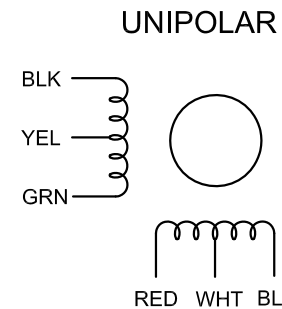


SPECIFICATION	CONNECTION	UNIPOLAR
VOTAGE(VOC)		12.00
AMPS/PHASE		0.40
RESISTANCE/PHASE(Ohms)@25°C		30.00±10%
INDUCTANCE/PHASE(mH)@1KHz		25.00±20%
HOLDING TORQUE w/o GEARBOX(Nm)[lb-in]		0.32[2.83]
GEAR RATIO		13 <sup>212</sup> / <sub>269</sub>
EFFICIENCY		81.00%
STEP ANGLE w/o GEARBOX(°)		1.80
BACKLASH@NO-LOAD		<=1°
MAX.PERMISSIBLE TORQUE(Nm)		3.00
MOMENT PERMISSIBLE TORQUE(Nm)		5.00
SHAFT MAXIMUM AXIAL LOAD(N)		50.00
SHAFT MAXIMUM RADIAL LOAD(N)		100.00
WEIGHT(Kg)[lb]		0.55[1.21]
TEMPERATURE RISE:MAX.80°C (MOTOR STANDSTILL;FOR 2PHASE ENERGIZED )		
AMBIENT TEMPERATURE -10°C~50°C[14°F~122°F]		
INSULATION CLASS B 130°C[266°F]		

STEP	A	B	$\bar{A}$	$\bar{B}$	O( $\bar{O}$ )	CW
1	+	+			+	↓
2		+	+		+	
3			+	+	+	
4	+			+	+	
1	+	+			+	



	APVD		
	CHKD		
1:1	DRN		
SCALE	SIGNATURE	DATE	

STEPPER MOTOR

17HS19-0406S-PG14