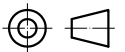
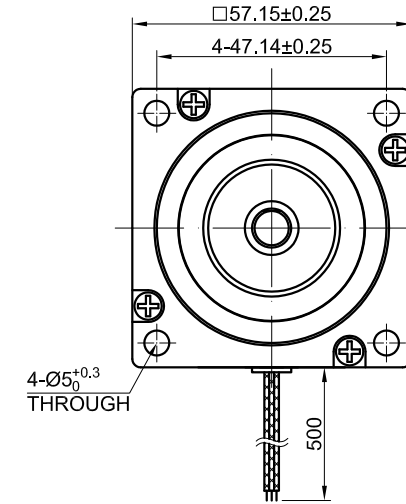
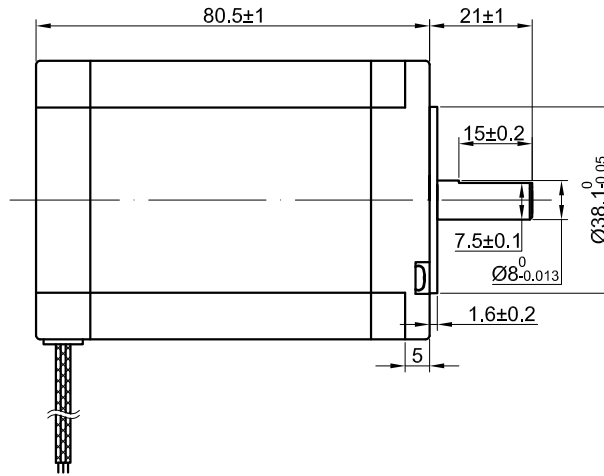
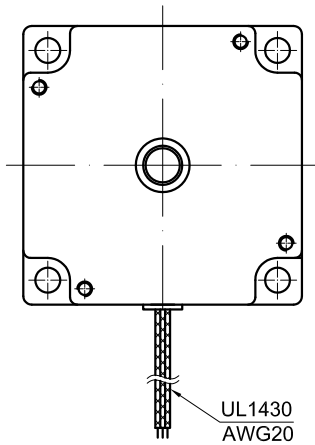


END COVER COLOR: BLACK



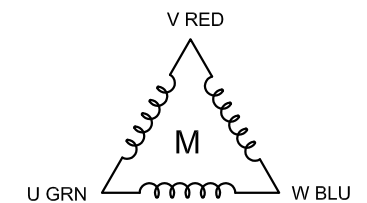
| SPECIFICATION                       | VALUE        |
|-------------------------------------|--------------|
| AMPS/PHASE                          | 5.50         |
| RESISTANCE/PHASE(Ohms)@20°C         | 0.70±10%     |
| INDUCTANCE/PHASE(mH)@1KHz           | 1.80±20%     |
| HOLDING TORQUE(Nm)[lb-in]           | 1.80 [15.94] |
| STEP ANGLE(°)                       | 1.2±0.06     |
| MAXIMUM RADIAL RUNOUT(mm)@LOAD 450g | 0.025        |
| MAXIMUM AXIAL RUNOUT(mm)@LOAD 920g  | 0.075        |
| ROTOR INERTIA(g-cm <sup>2</sup> )   | 520          |
| WEIGHT(Kg)[lb]                      | —            |

|  |
|--|
| TEMPERATURE RISE:MAX.80°C  |
| OPERATION AMBIENT TEMPERATURE 0°C~50°C[ 32°F~122°F]                              |
| INSULATION RESISTANCE 100 Mohm (UNDER NORMAL TEMPERATURE AND HUMIDITY)           |
| INSULATION CLASS B 130°C[266°F]  |
| DIELECTRIC STRENGTH 500VAC FOR 1MIN.(BETWEEN THE MOTOR COILS AND THE MOTOR CASE) |

| TYPE OF CONNECTION (EXTERN) |       | MOTOR |
|-----------------------------|-------|-------|
| PIN NO                      | PHASE | LEADS |
| 1                           | V     | RED   |
| 2                           | W     | BLU   |
| 3                           | U     | GRN   |

FULL STEP 3 PHASE-Ex. ,  
WHEN FACING MOUNTING END (X)

| STEP | U | V | W | CCW | CW |
|------|---|---|---|-----|----|
| 1    | + | - | - | ↓   | ↑  |
| 2    | - | + | - | ↑   | ↓  |
| 3    | - | - | + | ↓   | ↑  |
| 4    | + | - | - | ↑   | ↓  |



|       |           |           |
|-------|-----------|-----------|
| APVD  |           | 7.12.2019 |
| CHKD  |           |           |
| 1:1.5 | DRN       |           |
| SCALE | SIGNATURE | DATE      |

STEPPER MOTOR

23HT32-5503S