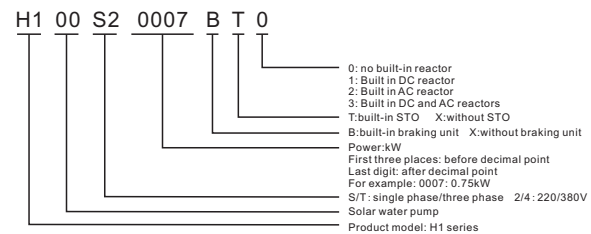




H1 Series Inverter USER MANUAL

1.2 H1 nameplate



1.3 H1 series specifications and models

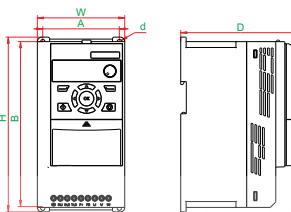
Table with columns: Base No, Models, Input voltage, Input current (A), Power (kW), Output current (A), Adaptive motor (kW). Lists various models like H100S20007BX0, H100T20022BX0, etc.

2.2 Function card configuration table

Table showing function card configurations for models H0100 to H0350. Columns include Function card, Physical characteristics, Digital input, Relay output, Analog input, Pulse input, Encoder input, Modbus, STO, Display, Potentiometer, Toggle switch, 12V power supply, 10V power supply.

Note: 1. the built-in function card with STO function must be equipped with AC drive of STO circuit... 2. If need other types and numbers of terminals, contact the company for bulk customization

NO.3 Product Dimension



H1 series Dimensions (mm) table with columns: Framework, W(Width), H(Height), D(Depth), A, B, d. Lists dimensions for models F1 through F9.

NO.4 Keypad description

Keypad description table with columns: Item, Structure, Function description. Lists keys like 1 (Display), 2 (Program/exit), 3 (Status display), 4 (Reserved), 5 (RUN), 6 (Potentiometer), etc.

4.2 Indicator light description

Indicator light table with columns: Indicator light, Status, Function description. Lists lights like RUN, REV, REM, ALM, M.

4.3 Display item description

Display item description table with columns: Display code, Item description. Lists codes like F (output frequency), C (output current), U (output voltage), etc.

NO.5 Function · Parameter Table

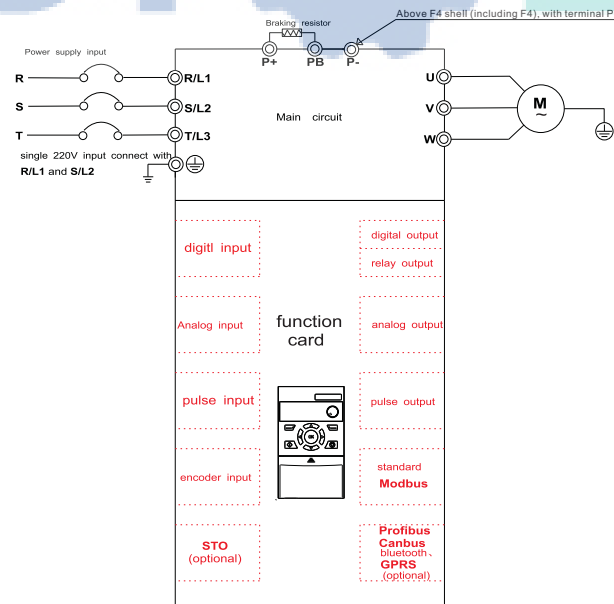
Main function and parameter table with columns: Function, Function, Description (setting range), Factory default. Lists parameters like P00.09 (Parameter operation), P00.10 (Setting/frequency) reference F1, etc.

NO.1 Product introduction

1. 1 Technical Features

Technical features table with columns: Items, Description. Lists features like Rated voltage/frequency, Allowed voltage, Voltage, Frequency, Overload capacity, Control mode, etc.

NO.2 Main circuit and function card



Notice: different function card corresponding to different terminals. Except standard function card, can customize any type of card. Reset parameters when using different function cards. An AC drive only can use one function card. Warning: Do not use function card when power is on!

2. 1 Main circuit terminal description

Main circuit terminal description table with columns: Terminal identification, Name, Function description. Lists terminals like Grounding terminal, R/L1, S/L2, T/L3, Braking terminal, DC bus terminal, output terminal.

