



◆ **Feature**

HKT22 is a 2-channel low cost optical hollow shaft encoder which can be fixed easily on shafts of motors. HKT22 has 2 square-wave outputs which are 90-degree phase shifted for counting and direction information.

◆ **Specifications**

**Electrical Specifications**

Output Wave	Square Wave
Current Consumption	≤50mA
Output Current	2~12mA
Response Frequency	0~30KHz
Output Phase Difference	90° ± 45°
Output Voltage	-0.5V~Vcc
Signal Level	V <sub>H</sub> ≥85%V <sub>cc</sub> , V <sub>L</sub> ≤0.3V

**Mechanical Specifications**

Rotor Inertia Of Code-wheel	4.0x10 <sup>-8</sup> Kgm <sup>2</sup>
Shock Resistance	980m/s <sup>2</sup> , 6ms, 2 times each on XYZ
Vibration Proof	50m/s <sup>2</sup> , 10~200Hz, 2 hours each on XYZ
Working Life	MTBF≥50000h (+25°C, 2000rpm)
Weight	10g (with 0.5m cable)

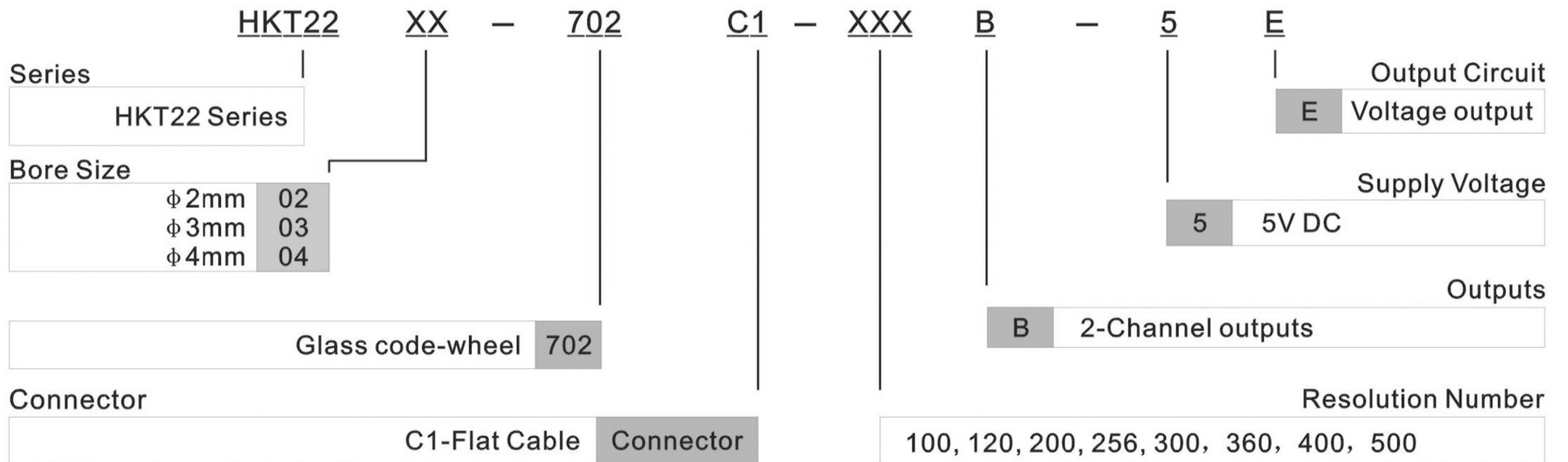
**Environmental Specifications**

Working Humidity	30~85% (no condensation)
Storage Temperature	-40°C~85°C
Working Temperature	-10°C~85°C

◆ **Terminal Assignment**

<b>Flat Cable</b> (from the colored end)	1	2	3	4	5
<b>Voltage Output</b>	0V	N.C	Ch B	+5V	Ch A

◆ Ordering Information



◆ Dimension Diagram

