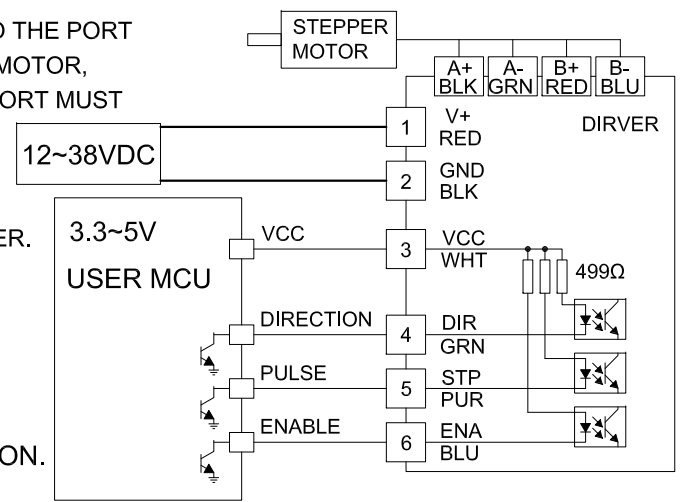


| SPECIFICATION  | CONNECTION | BIPOLAR     |
|--|------------|-------------|
| AMPS/PHASE   |            | 4.20        |
| RESISTANCE/PHASE(Ohms)@25°C  |            | 0.90±10%    |
| INDUCTANCE/PHASE(mH)@1KHz  |            | 3.80±20%    |
| HOLDING TORQUE(Nm)[lb-in]  |            | 3.00[26.55] |
| STEP ANGLE(°)  |            | 1.80        |
| STEP ACCURACY(NON-ACCUM)   |            | ±5.00%      |
| ROTOR INERTIA(g-cm <sup>2</sup> )  |            | 800.00      |
| WEIGHT(Kg)[lb]   |            | 1.75[3.86]  |
| TEMPERATURE RISE:MAX.80°C (MOTOR STANDSTILL;FOR 2PHASE ENERGIZED)                |            |             |
| AMBIENT TEMPERATURE -10°C~50°C[14°F~122°F]                                       |            |             |
| INSULATION RESISTANCE 100 Mohm (UNDER NORMAL TEMPERATURE AND HUMIDITY)           |            |             |
| INSULATION CLASS B 130°C[266°F]  |            |             |
| DIELECTRIC STRENGTH 500VAC FOR 1MIN.(BETWEEN THE MOTOR COILS AND THE MOTOR CASE) |            |             |
| AMBIENT HUMIDITY MAX.85%(NO CONDENSATION)  |            |             |

WARNING:IN ADDITION TO THE PORT OF POWER SUPPLY AND MOTOR, THE VOLTAGE OF REST PORT MUST BE IN THE RANGE OF -0.3V~5.3V,OTHERWISE IT WILL PERMANENTLY DAMAGE THE CONTROLLER.

PLEASE REFER TO THE DRIVER MANUAL FOR ADDITIONAL INFORMATION.

### TYPICAL APPLICATION



|       |           |           |
|-------|-----------|-----------|
| APVD  |           | 7.18.2019 |
| CHKD  |           |           |
| 1:1.5 | DRN       |           |
| SCALE | SIGNATURE | DATE      |

INTEGRATED STEPPER MOTOR  
ISD08-30