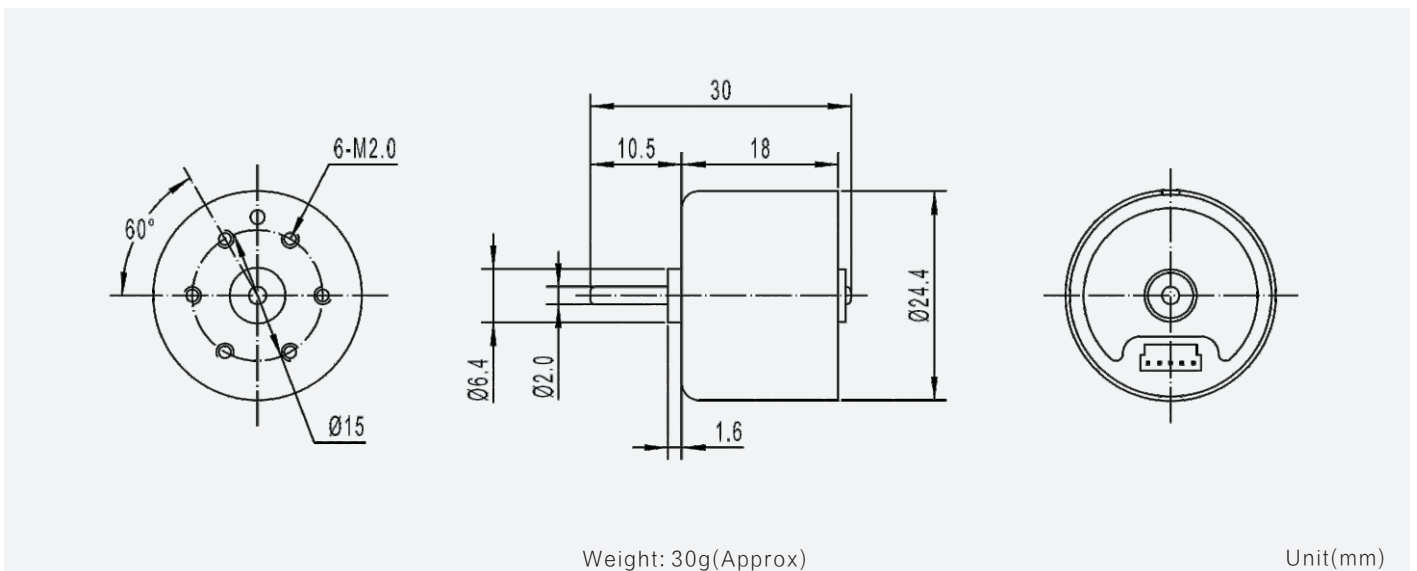


# TEC2418

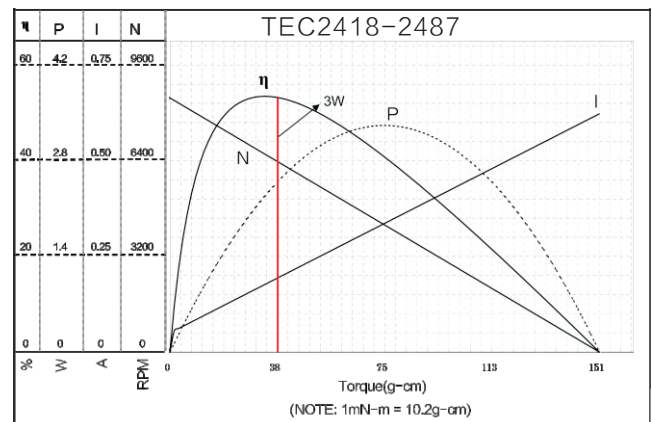
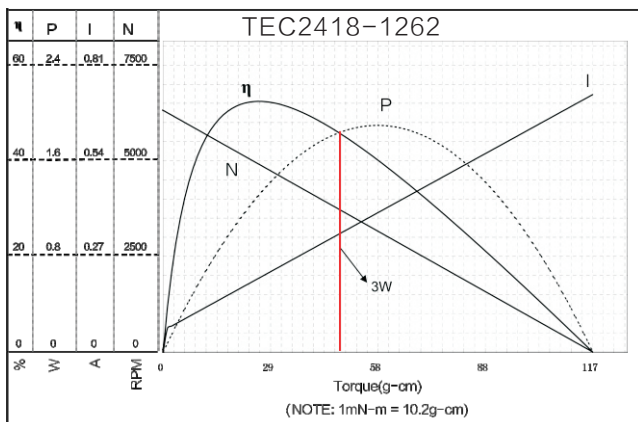
24mm brushless motor

Connection Mode A	
Clockwise Rotation/Counter Clockwise Rotation	
FG Signal	
PWM Control	
Locked Rotor Protection	
Power	3W(Internal Drive)
	/
Life Expectancy	~3000H(Oil Bearing)
	/



## Motor Technical Data

Motor model	Rated voltage VDC	No-load		Rated				Stall	
		Speed r/min	Current mA	Speed r/min	Torque g.cm	Current mA	Power W	Torque g.cm	Current A
TEC2418-1262	12.0	6200	60	5100	20	180	1.05	110	0.7
TEC2418-2487	24.0	8700	50	7500	20	130	1.54	145	0.7



NOTE: the left side of red line area can continuous work