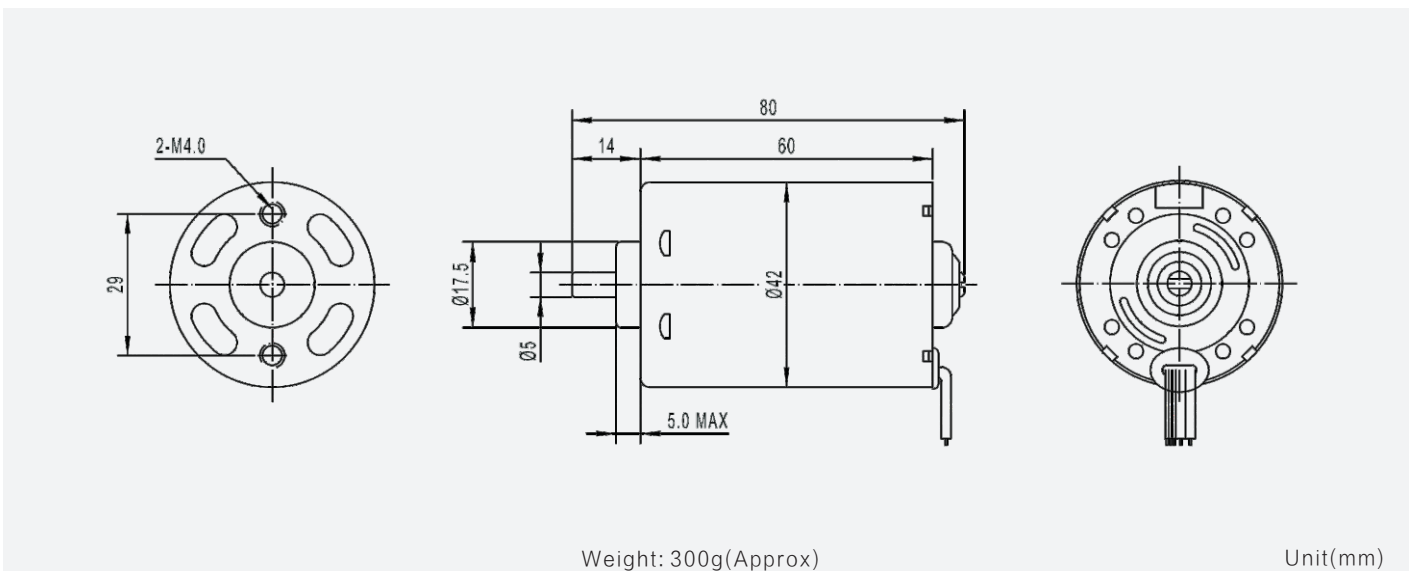


TEC4260

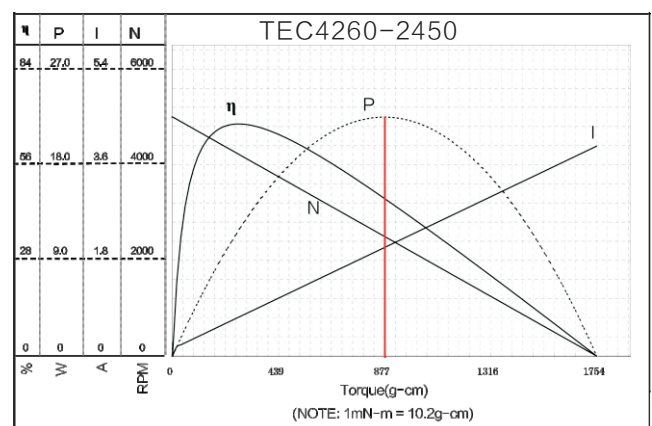
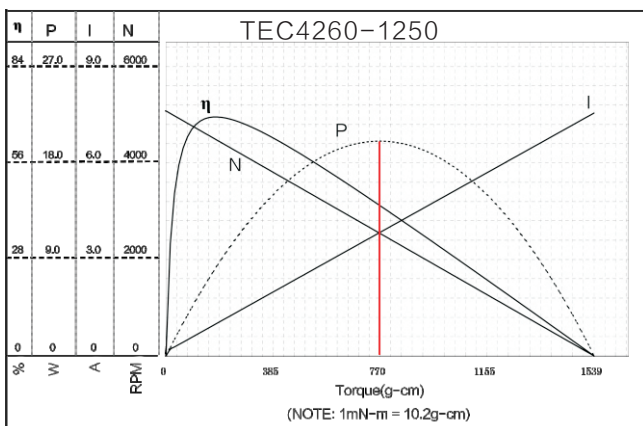
42mm brushless motor

Connection Mode B & C	
Clockwise Rotation/Counter Clockwise Rotation	
FG Signal	
PWM Control	
Locked Rotor Protection	
Power	30W(Internal Drive)
	50W(External Drive)
Life Expectancy	~3000H(Oil Bearing)
	~5000H(Ball Bearing)



Motor Technical Data

Motor model	Rated voltage	No-load		Rated				Stall	
		Speed	Current	Speed	Torque	Current	Power	Torque	Current
	VDC	r/min	mA	r/min	g.cm	mA	W	g.cm	A
TEC4260-1250	12.0	5000	300	3400	500	2500	17	1500	4.0
TEC4260-2450	24.0	5000	140	3550	500	1300	18	1700	4.0



NOTE: the left side of red line area can continuous work