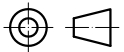
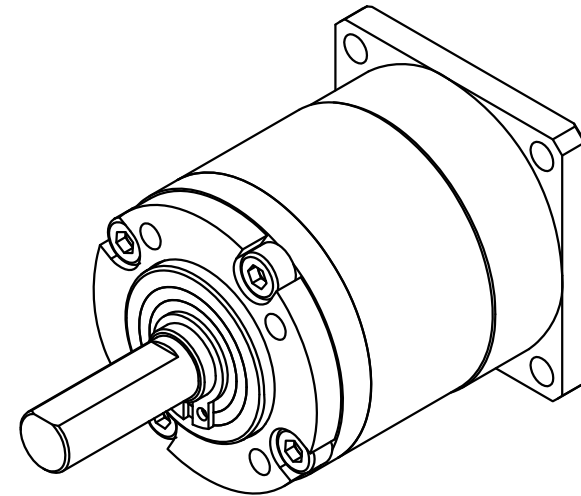


SPECIFICATION	CONNECTION	VALUE
GEAR RATIO		100
EFFICIENCY		90.00%
BACKLASH@NO-LOAD(arcmin)		<=25
MAX.PERMISSIBLE TORQUE(Nm)[lb-in]		6.00[53.10]
MOMENT PERMISSIBLE TORQUE(Nm)[lb-in]		12.00[106.21]
SHAFT MAXIMUM AXIAL LOAD(N)		100
SHAFT MAXIMUM RADIAL LOAD(N)		300
GEARBOX MATCHING MOTOR'S INPUT SHAFT LENGTH (mm)		9.5±0.5
RATED INPUT SPEED(RPM)		1000
MAX. INPUT SPEED(RPM)		2000
NOISE(dB)		<=55
WATERPROOF RATING		IP54
LIFE(h)		20000
WORKING TEMPERATURE		-20°C~150°C[-4°F~302°F]



	APVD		1.19.2023
	CHKD		
1:1	DRN		
SCALE	SIGNATURE		DATE

PLANETARY GEARBOX

TQEGS11-G100