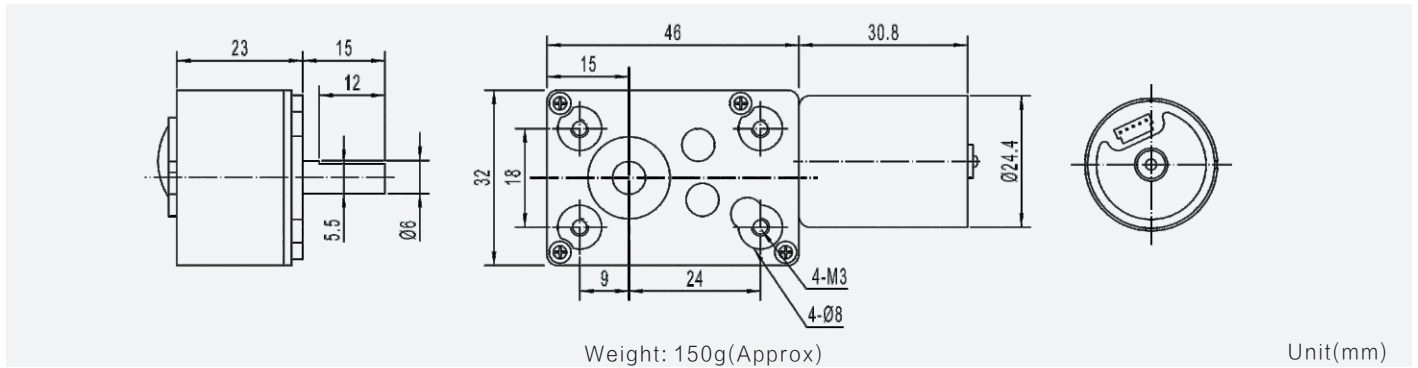
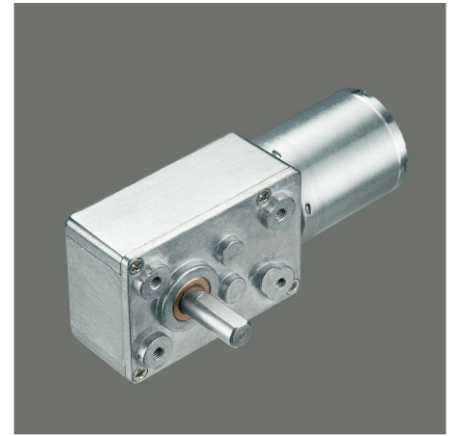


# TWG3246-TEC2430 32×46mm worm gearbox plus 24mm brushless motor

|  |                                    |                            |  |
|--|------------------------------------|----------------------------|--|
| Module                                 | 0.5/0.6                            |                            |  |
| Rated torque (kg.cm)                   | 8.0 kg.cm max                      |                            |  |
| Max momentary tolerance torque (kg.cm) | 15.0 kg.cm max                     |                            |  |
| Reduction ratio                        | 1/70、1/146<br>1/188、1/233<br>1/300 | 1/483、1/563<br>1/700、1/900 | 1/1020、1/1313<br>1/1688、1/2100<br>1/2700 |
| Number of gear stages                  | 3                                  | 4                          | 5  |
| Gearbox length L (mm)                  | 46.0                               |                            |  |

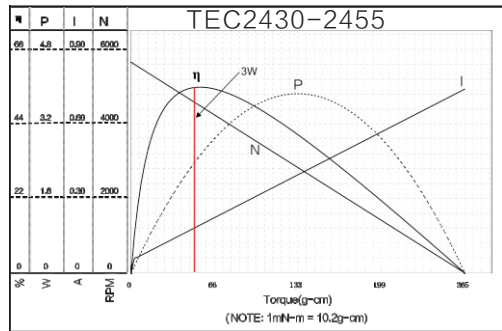
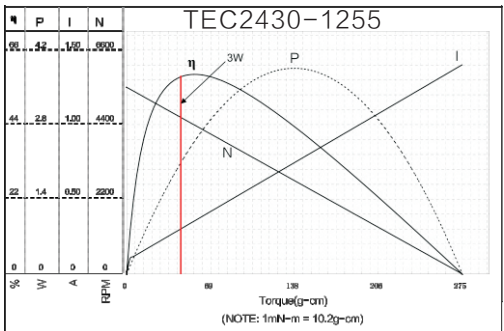


## Gear Motor Technical Data

| Reduction ratio |                     | 146 | 188 | 300 | 438 | 563 | 700 | 900 | 1020 | 1313 | 1688 |
|-----------------|---------------------|-----|-----|-----|-----|-----|-----|-----|------|------|------|
| 12.0V           | No-load speed(rpm)  | 35  | 29  | 18  | 12  | 10  | 8   | 6   | 5    | 4    | 3    |
|                 | Rated speed(rpm)    | 30  | 24  | 15  | 10  | 9   | 7   | 5   | 4    | 4    | 3    |
|                 | Rated torque(kg.cm) | 5.0 | 6.0 | 8.0 | 8.0 | 8.0 | 8.0 | 8.0 | 8.0  | 8.0  | 8.0  |
| 24.0V           | No-load speed(rpm)  | 35  | 29  | 18  | 12  | 10  | 8   | 6   | 5    | 4    | 3    |
|                 | Rated speed(rpm)    | 30  | 24  | 15  | 10  | 9   | 7   | 5   | 4    | 4    | 3    |
|                 | Rated torque(kg.cm) | 5.0 | 6.0 | 8.0 | 8.0 | 8.0 | 8.0 | 8.0 | 8.0  | 8.0  | 8.0  |

## Motor Technical Data

| Motor model  | Rated voltage | No-load |         | Rated |        |         | Stall |        |         |
|--------------|---------------|---------|---------|-------|--------|---------|-------|--------|---------|
|              |               | Speed   | Current | Speed | Torque | Current | Power | Torque | Current |
|              | VDC           | r/min   | mA      | r/min | g.cm   | mA      | W     | g.cm   | A       |
| TEC2430-1255 | 12.0          | 5500    | 50      | 4500  | 50     | 330     | 2.7   | 275    | 0.80    |
| TEC2430-2455 | 24.0          | 5500    | 90      | 4500  | 50     | 180     | 2.7   | 275    | 0.75    |



NOTE: the left side of red line area can continuous work