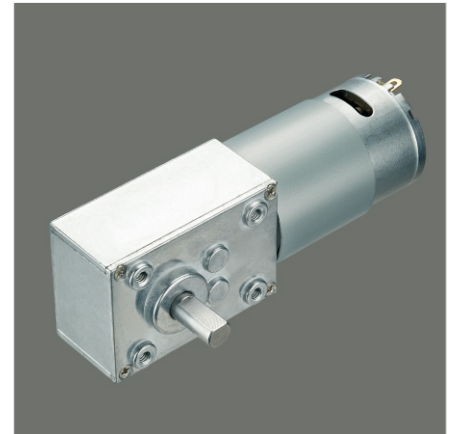
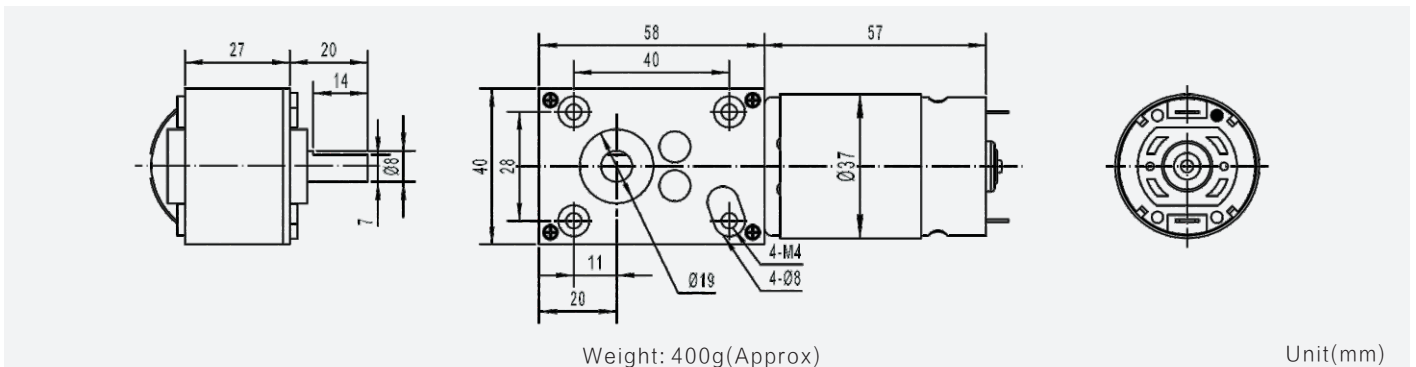


TWG4058-555PM

40×58mm worm gearbox plus 555 permanent magnet DC motor



Module	0.6/0.7		
Rated torque (kg.cm)	10.0 kg.cm max		
Max momentary tolerance torque (kg.cm)	20.0 kg.cm max		
Reduction ratio	1/81、1/135	1/207、1/251	1/405、1/621
Number of gear stages	3	4	5
Gearbox length L (mm)	58.0		



Gear Motor Technical Data

Reduction ratio		81	135	207	251	405	621			
12.0V	No-load speed(rpm)	60	35	24	20	12	8			
	Rated speed(rpm)	50	32	20	18	11	7			
	Rated torque(kg.cm)	10	10	10	10	10	10			
	No-load speed(rpm)	47	28	19	16	10	6			
24.0V	Rated speed(rpm)	40	24	16	13	9	5			
	Rated torque(kg.cm)	10	10	10	10	10	10			

Motor Technical Data

Motor model	Rated voltage	No-load		Rated			Stall		
		Speed	Current	Speed	Torque	Current	Power	Torque	Current
	VDC	r/min	mA	r/min	g.cm	mA	W	g.cm	A
TRS-555PM-1250	12.0	5000	250	4300	200	1400	8.8	1430	8.5
TRS-555PM-2440	24.0	4000	150	3200	200	800	6.6	1000	3.5

