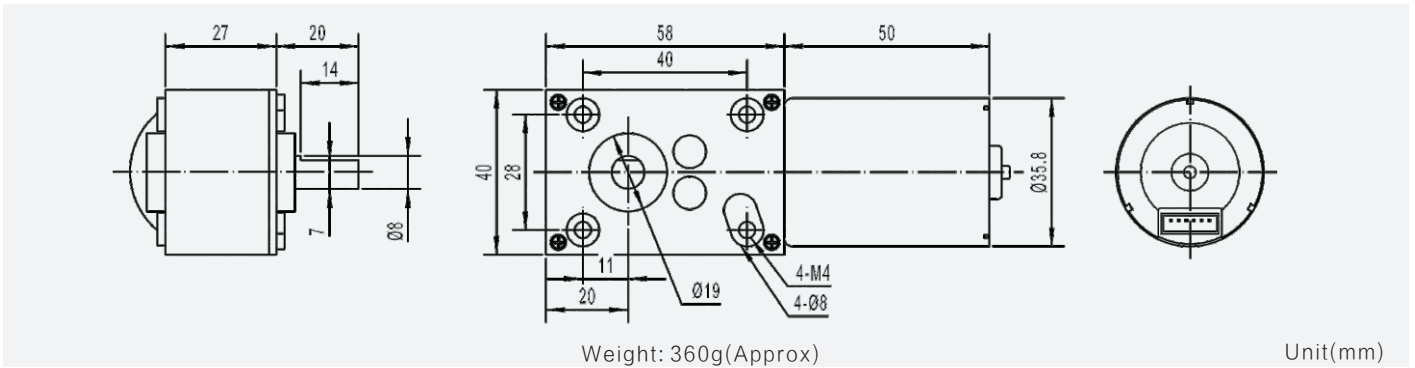


TWG4058-TEC3650 40×58mm worm gearbox plus 36mm brushless motor

Module	0.6/0.7		
Rated torque (kg.cm)	10.0 kg.cm max		
Max momentary tolerance torque (kg.cm)	20.0 kg.cm max		
Reduction ratio	1/81、1/135	1/207、1/251	1/405、1/621
Number of gear stages	3	4	5
Gearbox length L (mm)	58.0		

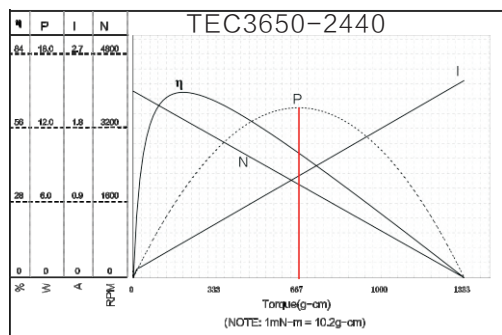
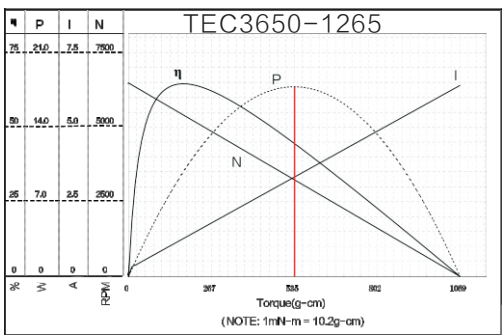


Gear Motor Technical Data

Reduction ratio		81	135	207	251	405	621			
12.0V	No-load speed(rpm)	80	48	31	26	16	10			
	Rated speed(rpm)	65	40	26	22	13	9			
	Rated torque(kg.cm)	10	10	10	10	10	10			
24.0V	No-load speed(rpm)	49	30	19	16	10	6			
	Rated speed(rpm)	42	25	17	14	9	5			
	Rated torque(kg.cm)	10	10	10	10	10	10			

Motor Technical Data

Motor model	Rated voltage	No-load		Rated			Stall		
		Speed	Current	Speed	Torque	Current	Power	Torque	Current
	VDC	r/min	mA	r/min	g.cm	mA	W	g.cm	A
TEC3650-1265	12.0	6500	250	5300	200	1400	10.9	1083	5.0
TEC3650-2440	24.0	4000	80	3400	200	420	7.0	1333	2.4



NOTE: the left side of red line area can continuous work